



CDC6 Specifications

Contents

1、 About the User Manual	3
2、 Characteristics.....	3
3、 Functions and Display.....	4
4、 Buttons.....	5
5、 Installation	5
6、 Functions.....	6
7、 Error codes	8

1、 About the User Manual

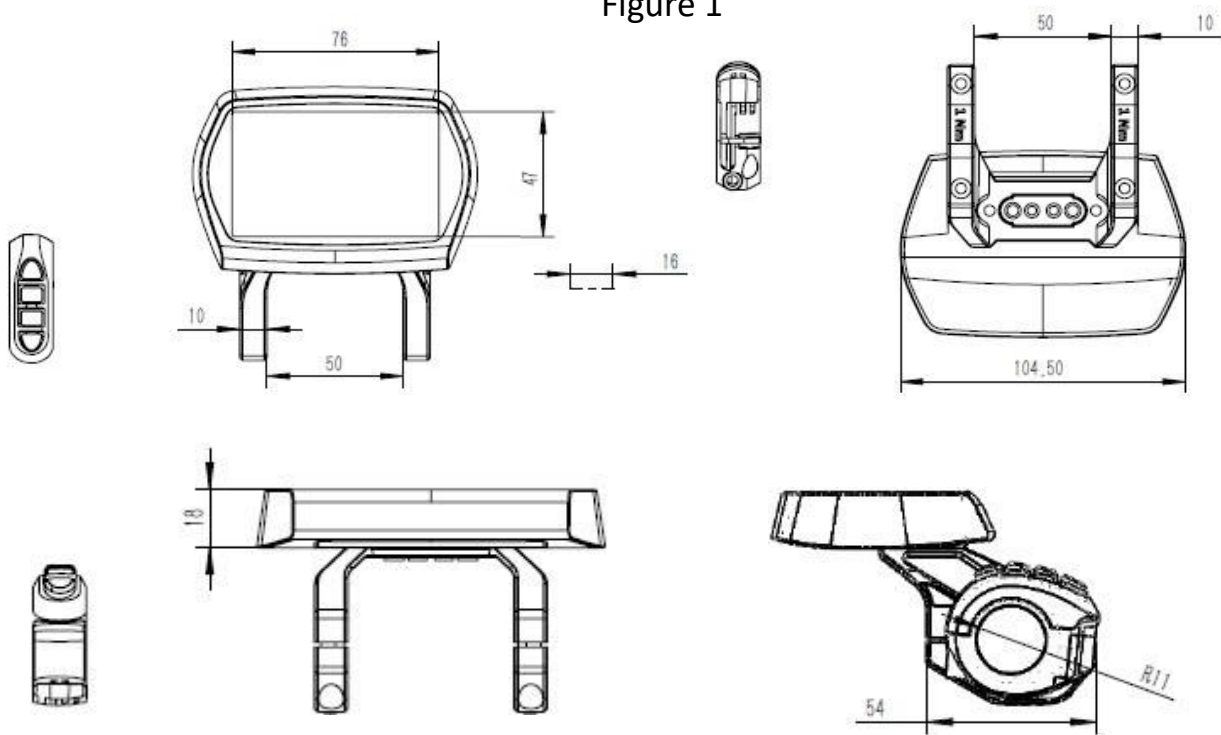
Dear users,

to ensure better performance of your e-bike, please read carefully through the CDC6 Specifications before using it.

2、 Characteristics

CDC6 products use a 3.5-inch LCD display, double PCB, nylon buckle, ABS material shell and a keyboard. See Figure 1 (unit:mm).

Figure 1



3、 Functions and Display

CDC6 is a Multifunction 3.5-inch LCD display. The same display can match 24V, 36V and 48V batteries

CDC6 functions Summary (Figure 2):

- Total distance indicator
- Riding distance indicator
- Current speed indicator
- PAS level selection
- Residual battery capacity indicator
- Error code definition
- Kilometers or miles
- Wheel diameter selection
- USB charging function
- 6Km/h implementation function

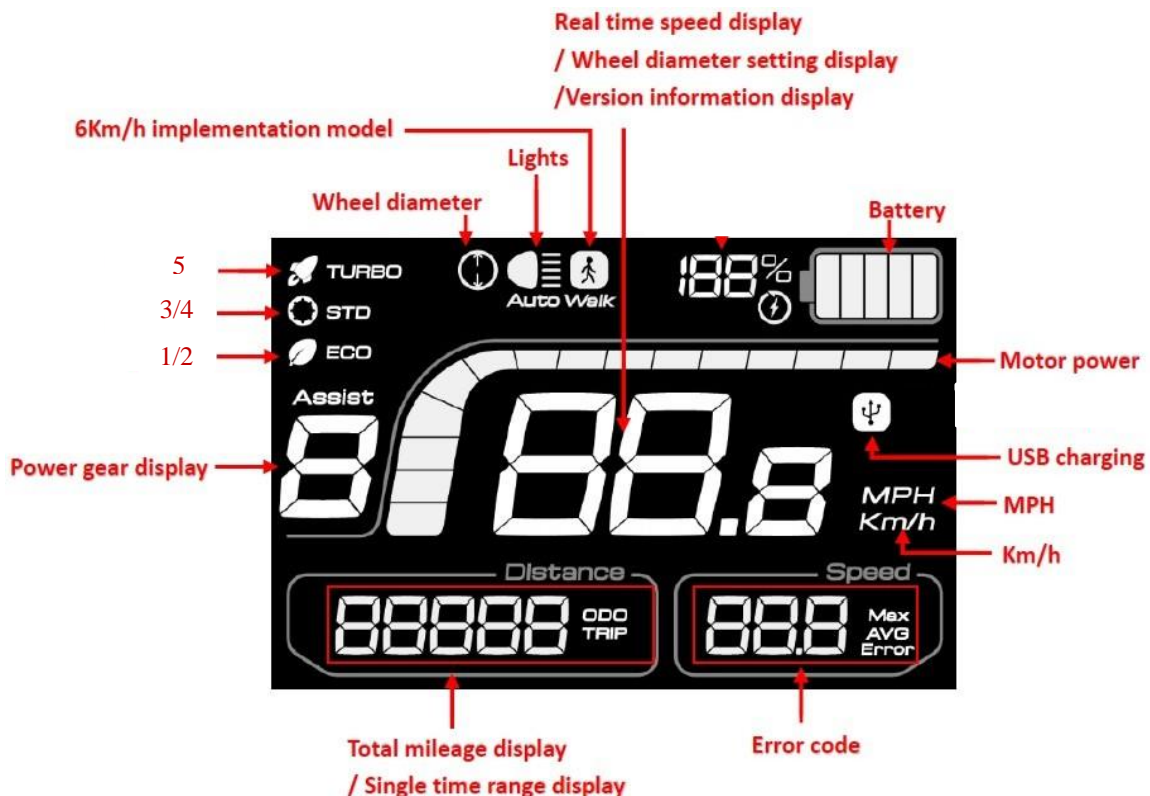


Figure 2

4、 Buttons

CDC6 has four buttons: ON/OFF, UP, DOWN and SET.

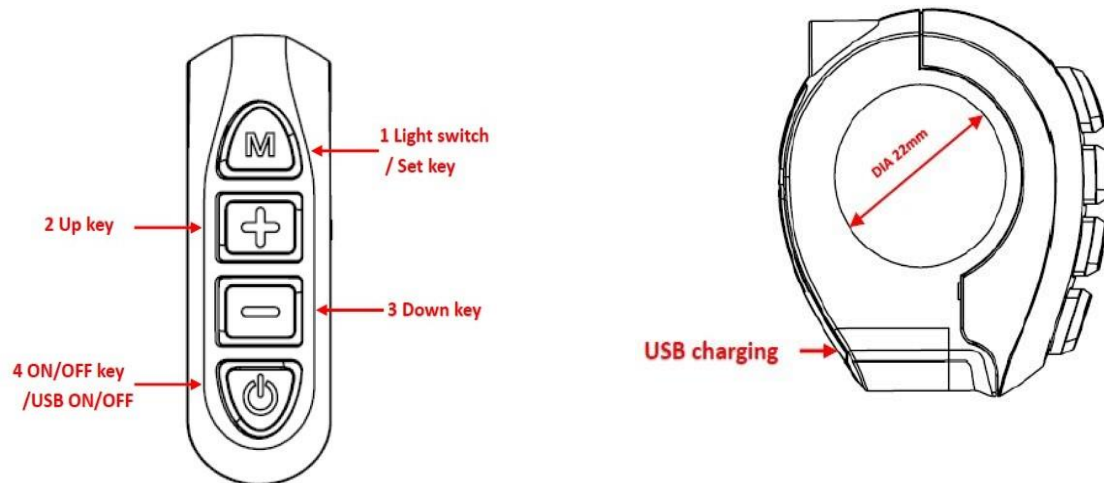


Figure 3

5、 Installation

Mount the display on the handlebar and then adjust the view angle. Install the keyboard in a position, where it is easy to control. Tighten the screws to complete the installation (Figure 4):



Figure 4

6、 Functions

a. on/off

Press the ON/OFF button once to turn on the display. Press and hold for 3 seconds to turn off the display.

b. Turn on/off headlights (if supported)

If supported by the ebike, while the display is on, press the ON/OFF button to turn on or off the headlights.

c. PAS level selection

With the screen on, press the “+” or “-” buttons to increase or decrease the assistance levels from 0 (no power) to 5 (max power). While in 0 assistance level, hold the “-” button to activate the walking assisted mode. This mode will help you push the e-bike by foot up to a maximum of 6 km/h speed

d. Speed unit selection

The display supports km/h and MPH speed units. To switch from a unit to another, hold the “M” button to enter Settings. Then press the “M” button until the speed unit interface appears on the display (Figure 5). By clicking the “+” button, the preferred speed unit can be selected.



Figure 5

e. Battery indicator

The residual charge of the battery is shown on the top-right part of the display. When the battery is full, the five notches are all bright. With low battery, the last one flashes and the battery needs to be recharged immediately. See Figure 6:



Figure 6

f. Wheel diameter selection

Press and hold for 5 seconds the “M” button to open the Settings Interface, then click the “M” button until the wheel diameter setting interface is reached (Figure 7). With “-“ and “+” select the correct diameter (Figure 8). To choose a diameter other than the real one may cause malfunctions.



Figure 7

WHEEL DIAM	
12	(957mm)
16	(1272mm)
18	(1350mm)
20	(1590mm)
22	(1770mm)
24	(1948mm)
26	(2072mm)
27	(2210mm)
28	(2260mm)
29	(2313mm)

Figure 8

7、 Error codes

The error codes are shown at the bottom-right of the display. Check the following Table. In case of error, please contact the Technical Support.

Error code definition table

Error code	Description
2	Overcurrent protection / Motor's Hall signal anomaly / controller's internal power device / motor's phase missing
3	Motor's Hall signal anomaly / safety shutdown of the motor anomaly / bad contact of power supply terminal / damage control / motor damage
4	Low voltage
5	Faulty brakes sensor
6	Battery anomaly
7	Throttle anomaly
9	Voltage anomaly
A/10	Display and controller communication fault (yellow cable)
F/15	Display and controller communication fault (green cable)
Display does not turn on or shuts down after 3 second from turning on: please check that controller cables or supply power cables are well connected.	