



CDE1 Specifications

Contents

1、 About the User Manual.....	2
2、 Characteristics.....	2
3、 Functions.....	2

1、 About the User Manual

Dear users,

to ensure better performance of your e-bike, please read carefully through the CDE1 Specifications before using it.

2、 Characteristics

Dimension in Figure 1: (unit: mm)

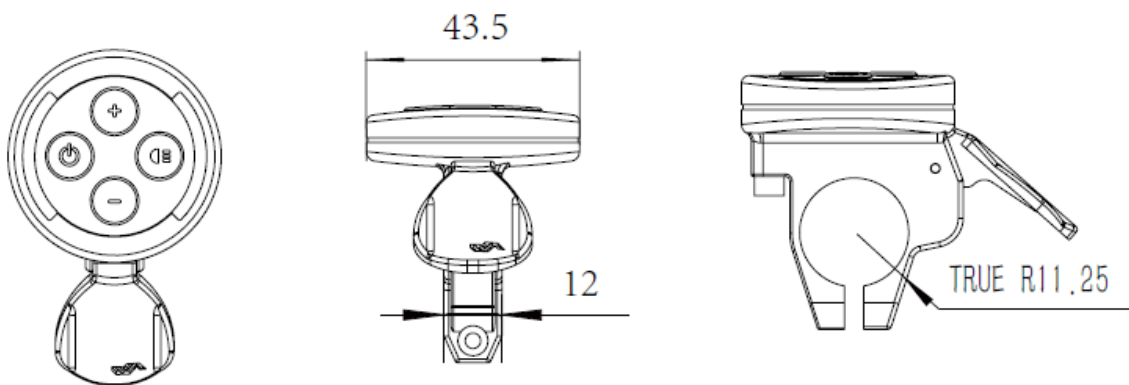


Figure 1






3、 Functions

- a. While the display is off, press and hold the power button for 2 seconds to turn on the power.
- b. Press the power button for 5 seconds to turn off the power.
- c. With the display on, press the “+” to increase or “-” to decrease the assistance level. There are 5 assistance levels:
 - Flashing red LED: level 0 (no assistance)
 - Steady red LED: level 1
 - Flashing yellow LED: level 3
 - Steady yellow LED: level 2
 - Flashing green LED: level 4
 - Steady green LED: level 5

Assistance levels are visible on the right side of the display)

- d. While in 0 assistance level and screen on, hold the throttle to activate walking assisted mode. This mode will help you push the ebike by foot up to a maximum of 6 km/h speed.
- e. The residual charge of the battery is visible on the left side of the display (:
 - Green LED: full battery
 - Yellow LED: charge between 60% and 30%
 - Steady red LED: charge between 30% and 5%
 - Flashing red LED: need recharge
- f. With screen on and two flashing red LEDs, please contact immediately the Technical Support to report malfunctions.

Buttons:

-  Power Button
-  Increase Assistance Level
-  Decrease Assistance Level
-  Walking Assisted Mode (if held)
-  Throttle (only in 0 Assistance Level)

(On the left side residual battery charge is visible.

) On the right side the assistance levels are visible.